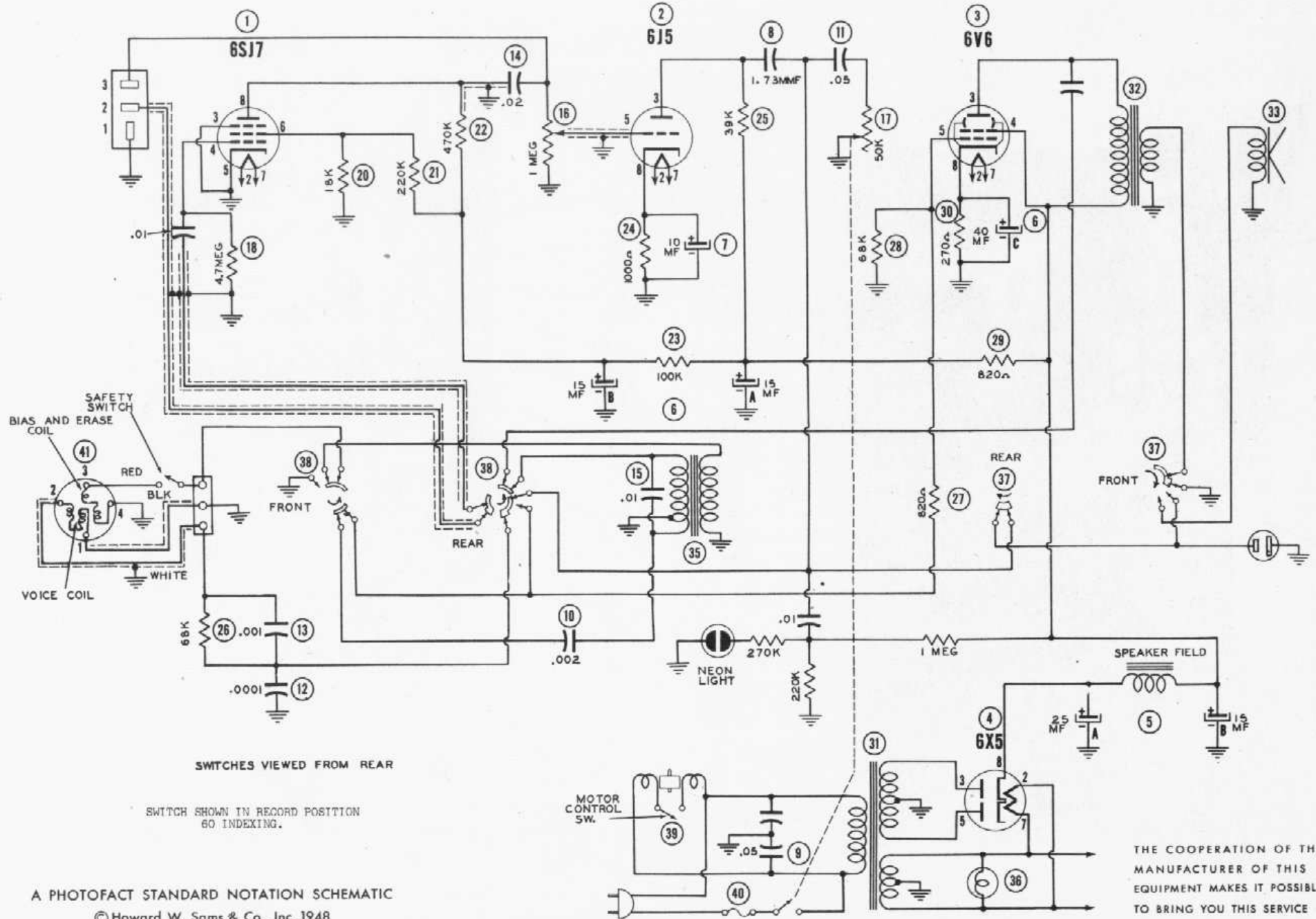


**WEBSTER
MODELS 79, 80**

WEBSTER MODELS 79, 80—LATE PRODUCTION



SWITCHES VIEWED FROM REAR

SWITCH SHOWN IN RECORD POSITION
60 INDEXING.

A PHOTOFAC STANDARD NOTATION SCHEMATIC
© Howard W. Sams & Co., Inc. 1948

THE COOPERATION OF THE
MANUFACTURER OF THIS
EQUIPMENT MAKES IT POSSIBLE
TO BRING YOU THIS SERVICE